

## Salinero 1000

### SALINERO COLLECTION:

Salinero 1000, Salinero 1001, Salinero 1002, Salinero 1003,  
Salinero 1004, Salinero 1005,

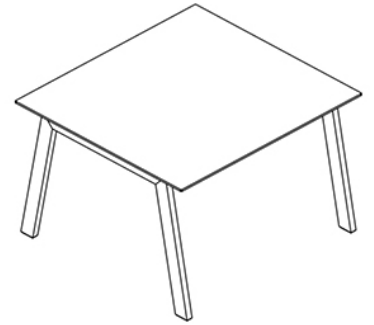
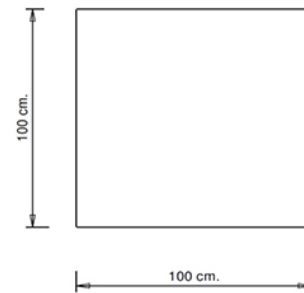
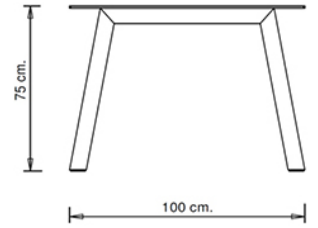
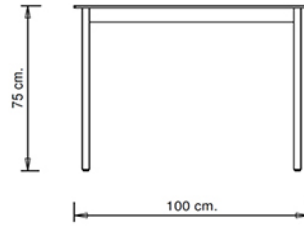


Table with 4 steel legs and 100x100 HPL solid laminate top. Top's edge legs.

#### WEIGHT

31,5 Kg

#### PACK

0,08 m<sup>3</sup>+ 0,17 m<sup>3</sup>

#### PIECES PER BOX

1

## FINISHES TABLE TOPS FINISHES

### STR - full color HPL SOLID LAMINATE



White  


### STR - compact HPL SOLID LAMINATE



Graphite  
Anti-fingerprints - cat G



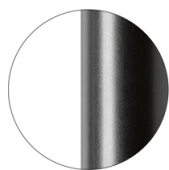
Black - Cat B



Fenix NTM0720  
Nero Ingo  
Anti-fingerprints - cat  
H

## FRAMES

### AC STEEL



RAL 9005  
VR Matt Jet Black



## USES

hotels, educational, office and waiting areas, retail,

## Salinero 1001

### SALINERO COLLECTION:

Salinero 1000, Salinero 1001, Salinero 1002, Salinero 1003, Salinero 1004, Salinero 1005,

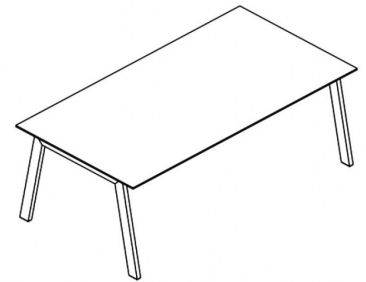
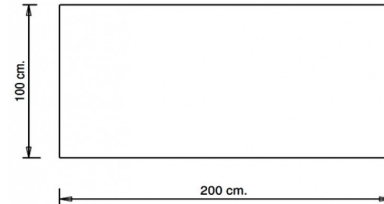
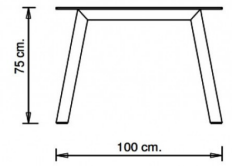
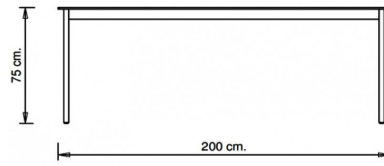


Table with 4 steel legs and 200x100 HPL solid laminate top. Top's edge legs.

Available accessories:

- A. Power supply device. Electric socket and USB.
- B. Wireless retractable charging device.
- C. Buttonhole on top with cable collection channel.
- D. Cable guide for desk / floor.

The accessory D can be inserted in any combination.

Accessories A and C are not compatible with each other.

#### WEIGHT

49,5 Kg

#### PACK

0,08 m<sup>3</sup> + 0,31 m<sup>3</sup>

#### PIECES PER BOX

1

## FINISHES TABLE TOPS FINISHES

### STR - full color HPL SOLID LAMINATE



White  
☀️

### STR - compact HPL SOLID LAMINATE



Graphite  
Anti-fingerprints - cat G



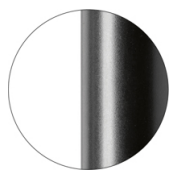
Black - Cat B



Fenix NTM0720  
Nero Ingo  
Anti-fingerprints - cat  
H

## FRAMES

### AC STEEL



RAL 9005  
VR Matt Jet Black  
☀️

## USES

hotels, educational, office and waiting areas, retail,

## Salinero 1002

**SALINERO COLLECTION:**

Salinero 1000, Salinero 1001, Salinero 1002, Salinero 1003,  
Salinero 1004, Salinero 1005,

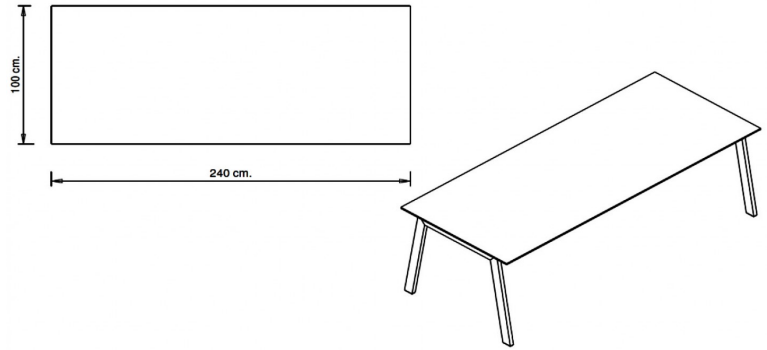
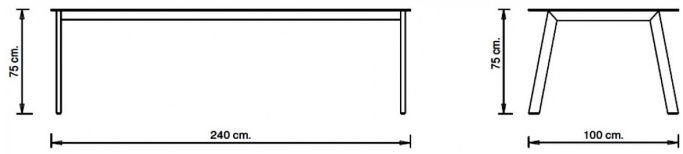


Table with 4 steel legs and 240x100 HPL solid laminate top. Top's edge legs.

Available accessories:

- A. Power supply device. Electric socket and USB.
- B. Wireless retractable charging device.
- C. Buttonhole on top with cable collection channel.
- D. Cable guide for desk / floor.

The accessory D can be inserted in any combination.

Accessories A and C are not compatible with each other.

**WEIGHT**

56,7 Kg

**PACK**

0,08 m<sup>3</sup> + 0,38 m<sup>3</sup>

**PIECES PER BOX**

1

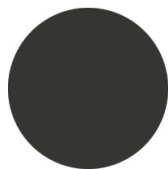
## FINISHES TABLE TOPS FINISHES

### STR - full color HPL SOLID LAMINATE



White  


### STR - compact HPL SOLID LAMINATE



Graphite  
Anti-fingerprints - cat G



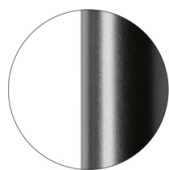
Black - Cat B



Fenix NTM0720  
Nero Ingo  
Anti-fingerprints - cat  
H

## FRAMES

### AC STEEL



RAL 9005  
VR Matt Jet Black



## USES

hotels, educational, office and waiting areas, retail,

## Salinero 1003

### SALINERO COLLECTION:

Salinero 1000, Salinero 1001, Salinero 1002, Salinero 1003, Salinero 1004, Salinero 1005,

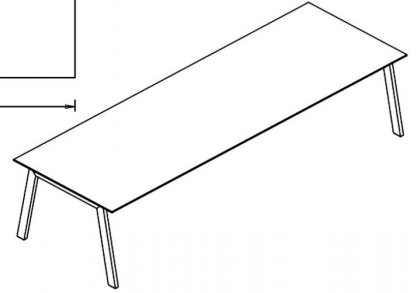
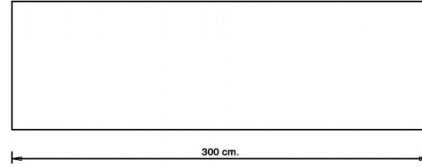
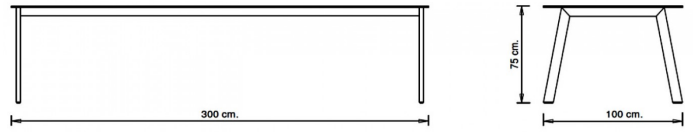


Table with 4 steel legs and 300x100 HPL solid laminate top. Top's edge legs.

Available accessories:

- A. Power supply device. Electric socket and USB.
- B. Wireless retractable charging device.
- C. Buttonhole on top with cable collection channel.
- D. Cable guide for desk / floor.

The accessory D can be inserted in any combination.

Accessories A and C are not compatible with each other.

#### WEIGHT

68,2 Kg

#### PACK

0,08 m<sup>3</sup> + 0,47 m<sup>3</sup>

#### PIECES PER BOX

1

## FINISHES TABLE TOPS FINISHES

**STR - full color**

**HPL SOLID LAMINATE**



White



**STR - compact**

**HPL SOLID LAMINATE**



Graphite

Anti-fingerprints - cat G



Black - Cat B



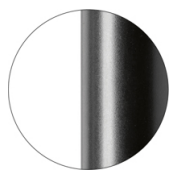
Fenix NTM0720

Nero Ingo

Anti-fingerprints - cat  
H

## FRAMES

**AC STEEL**



RAL 9005

VR Matt Jet Black



## USES

hotels, educational, office and waiting areas, retail,



## Salinero 1004

**SALINERO COLLECTION:**

Salinero 1000, Salinero 1001, Salinero 1002, Salinero 1003,  
Salinero 1004, Salinero 1005,

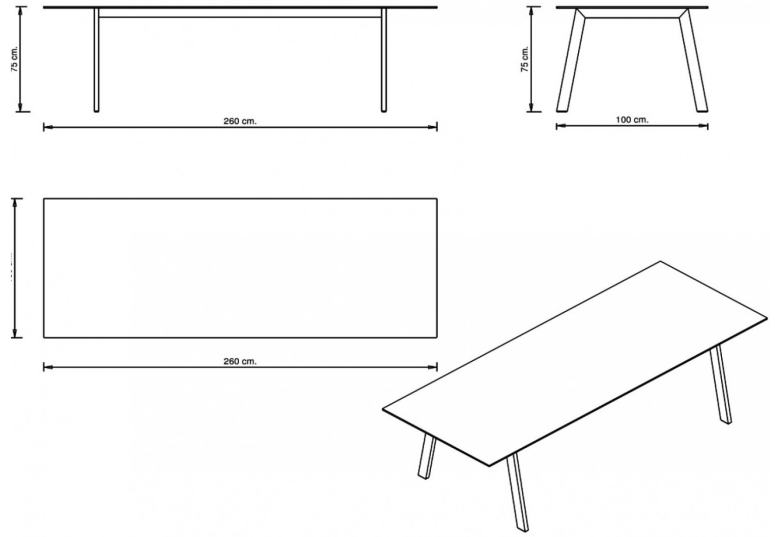


Table with 4 steel legs and 260x100 HPL solid laminate top. Recessed legs.

Available accessories:

- A. Power supply device. Electric socket and USB.
- B. Wireless retractable charging device.
- C. Buttonhole on top with cable collection channel.
- D. Cable guide for desk / floor.

The accessory D can be inserted in any combination.

Accessories A and C are not compatible with each other.

**WEIGHT**

58,1 Kg

**PACK**

0,08 m<sup>3</sup> + 0,38 m<sup>3</sup>

**PIECES PER BOX**

1

## FINISHES TABLE TOPS FINISHES

STR - full color

HPL SOLID LAMINATE



White



STR - compact

HPL SOLID LAMINATE



Graphite  
Anti-fingerprints - cat G



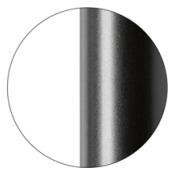
Black - Cat B



Fenix NTM0720  
Nero Ingo  
Anti-fingerprints - cat  
H

## FRAMES

AC STEEL



RAL 9005  
VR Matt Jet Black



## USES

hotels, educational, office and waiting areas, retail,

## Salinero 1005

**SALINERO COLLECTION:**

Salinero 1000, Salinero 1001, Salinero 1002, Salinero 1003, Salinero 1004, Salinero 1005,

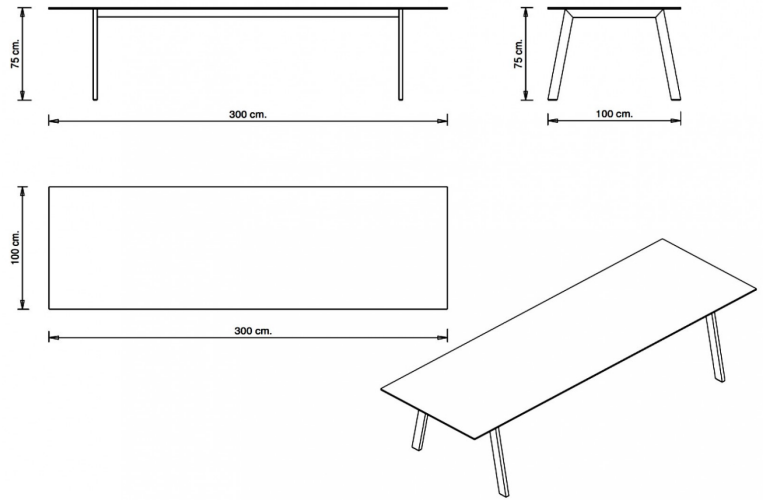


Table with 4 steel legs and 300x100 HPL solid laminate top. Recessed legs.

Available accessories:

- A. Power supply device. Electric socket and USB.
- B. Wireless retractable charging device.
- C. Buttonhole on top with cable collection channel.
- D. Cable guide for desk / floor.

The accessory D can be inserted in any combination.

Accessories A and C are not compatible with each other.

**WEIGHT**

66,7 Kg

**PACK**

0,08 m<sup>3</sup> + 0,47 m<sup>3</sup>

**PIECES PER BOX**

1

## FINISHES TABLE TOPS FINISHES

### STR - full color HPL SOLID LAMINATE



White  
☀️

### STR - compact HPL SOLID LAMINATE



Graphite  
Anti-fingerprints - cat G



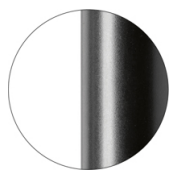
Black - Cat B



Fenix NTM0720  
Nero Ingo  
Anti-fingerprints - cat  
H

## FRAMES

### AC STEEL



RAL 9005  
VR Matt Jet Black  
☀️

## USES

hotels, educational, office and waiting areas, retail,